

Nyloc Insert Nut

Thread Type: UNF - Fine

Thread Direction: Right Hand

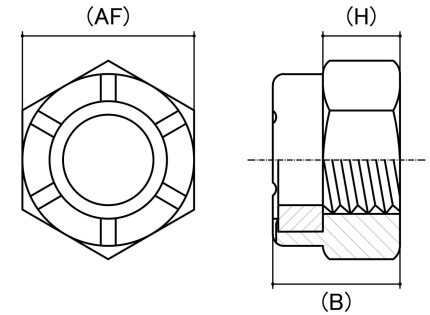
Material: Carbon Steel

Class Grade: High Tensile Grade 5

Finish: Zinc Plated

Corrosion Protection Level: Moderate

Standard: IFI-100NE



*CAD drawings shown for graphic representation only.**

Size	Thread Pitch (TPI)	Thread Type	Overall Nut Height (B) (mm)		Hex Height (H) (mm)	Across Flats (AF) (mm)		Spanner Size (AF) (inches)	sku (qfind)
			Min	Max	Nom	Min	Max		
#10-32 (3/16")	32	Fine	5.80	6.30	3.70	9.20	9.53	3/8	41NF316
1/4"	28	Fine	7.55	8.35	5.72	10.88	11.16	7/16	41NF14
5/16"	24	Fine	8.35	9.10	6.35	12.43	12.76	1/2	41NF516
3/8"	24	Fine	11.10	11.90	8.51	14.00	14.28	9/16	41NF38
7/16"	20	Fine	11.10	11.90	8.23	15.55	15.88	5/8	41NF716
1/2"	20	Fine	14.70	15.45	11.79	18.70	19.05	3/4	41NF12
9/16"	18	Fine	16.00	16.70	11.92	21.87	22.23	7/8	41NF916
5/8"	18	Fine	18.67	20.00	15.07	23.42	23.83	15/16	41NF58
3/4"	16	Fine	21.80	22.60	18.90	26.73	27.03	1-1/8	41NF34
7/8"	14	Fine	24.60	25.40	20.07	31.48	31.81	1-5/16	41NF78
1"	12	Fine	25.70	27.40	20.96	36.25	36.58	1-1/2	41NF1
1-1/8"	12	Fine	28.70	30.60	23.82	41.00	41.33	1-5/8	41NF118
1-1/4"	12	Fine	34.40	36.00	28.58	45.75	46.11	1-7/8	41NF114C8
1-3/8"	12	Fine	38.60	40.00	32.75	50.60	52.40	2-1/16	41NF138C8
1-1/2"	12	Fine	40.00	41.60	33.36	54.84	55.81	2-1/4	41NF112C8

Size	Thread Pitch (TPI)	Thread Type	Overall Nut Height (B) (mm)		Hex Height (H) (mm)	Across Flats (AF) (mm)		Spanner Size (AF) (inches)	sku (qfind)
			Min	Max	Nom	Min	Max		
1-3/4"	12	Fine	58.40	59.60	47.30	68.40	69.90	2-3/4	41NF134C8
2"	12	Fine	60.00	62.70	44.45	78.39	79.68	3-1/8	41NF2C8

Disclaimer:

Dimensional data and technical information was obtained from publically available sources and not acquired through standard agencies. It has been completed and compiled for reference purposes only; where discrepancies are found they are subject to change without notice. Bolt & Nut Australia makes no warranties or representations regarding the accuracy and validity of the compiled information and data. Contact the relevant standard authorities for accurate and detailed information.

* CAD drawings may not reflect diameter, thread length or overall length.

© Bolt & Nut Australia Pty Ltd. All rights reserved.

Version: 18 Mar 2024